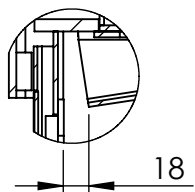
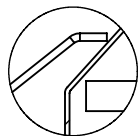


Restrictor

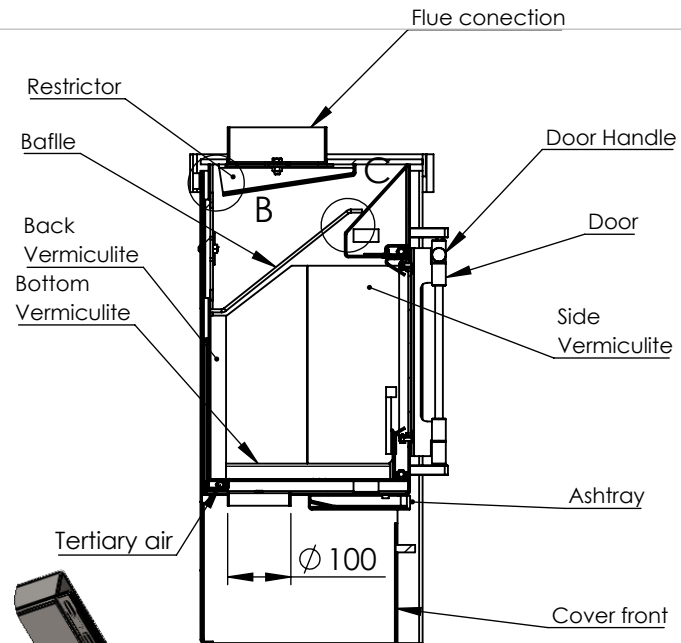
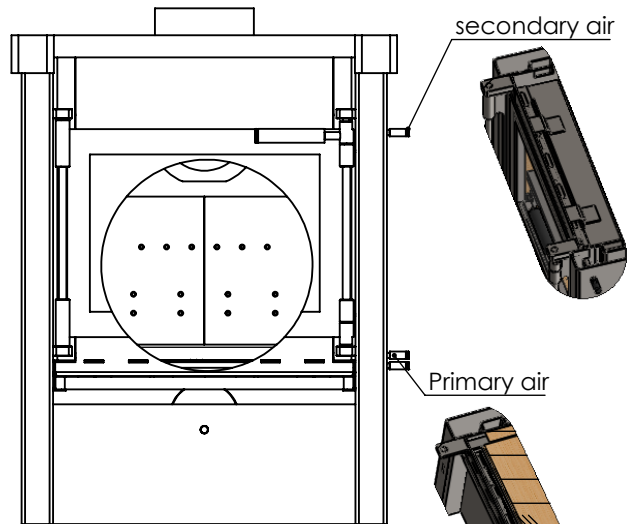
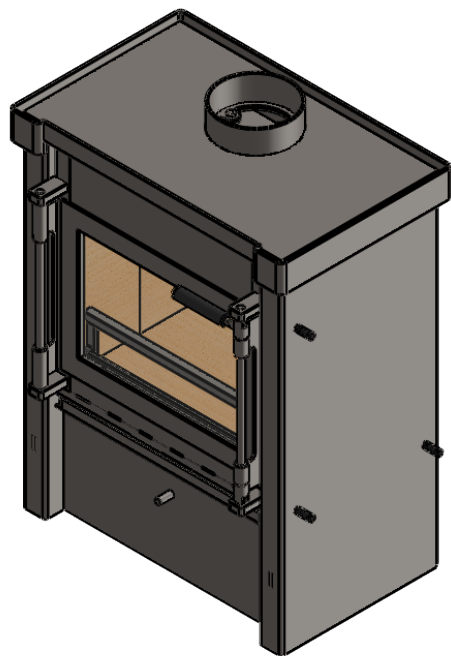
CE position



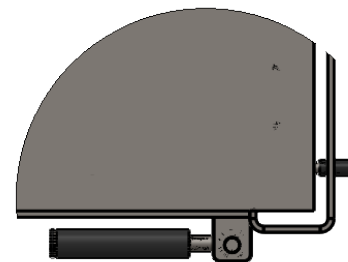
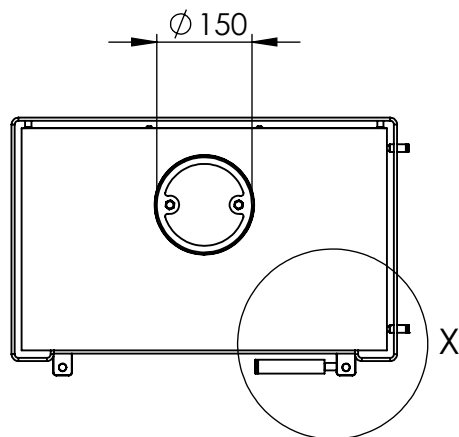
DETAIL B
SCALE 1 : 5



DETAIL C
SCALE 1 : 5

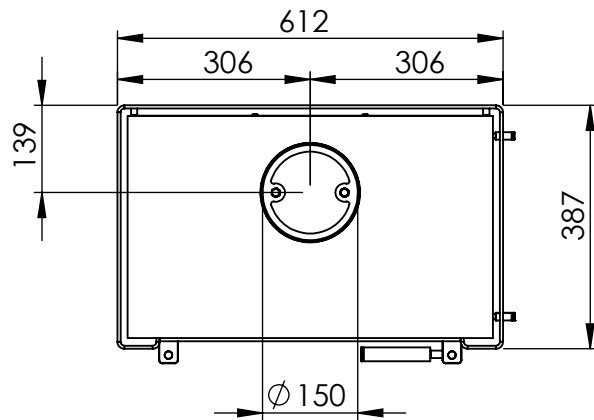
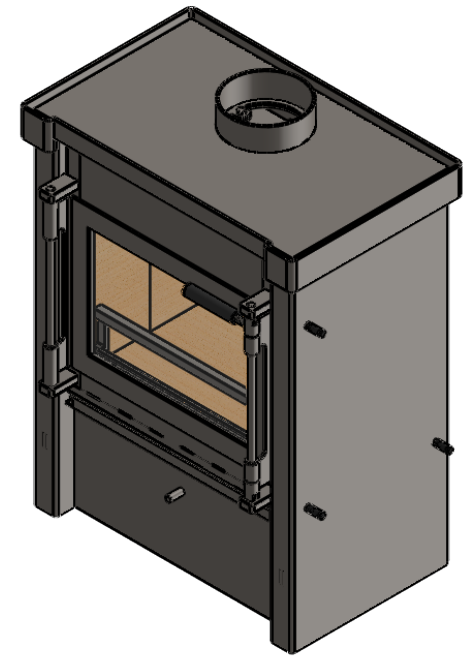
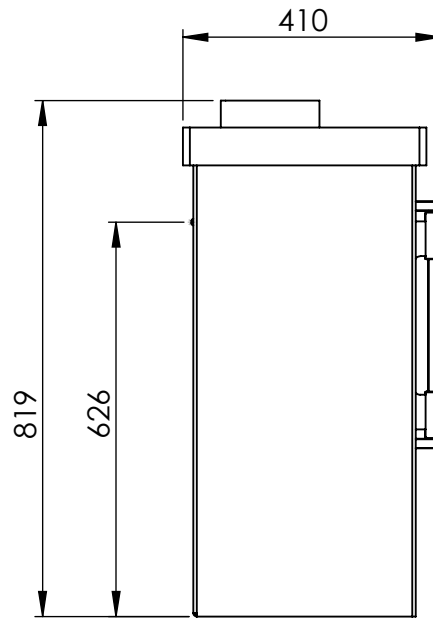
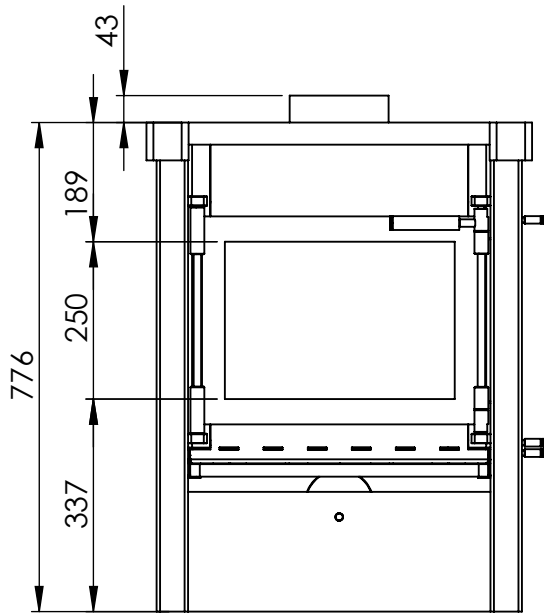




SECTION A-A



DETAIL X
SCALE 1 : 6

	Date:	General tolerances to Art. nr.	
	Constr:	ISO 2768 mK	Mater.
Copyright reserved	Scale:	Unless otherwise indicated	
	Weight:	Piece nr.	Date last rev.
	Project:	Beaufort 8kW	Pos. nr. Selec. dim.
			Rev.



 Proj. Euro. Unit : mm Copyright reserved	Date:	General tolerances to Art. nr.	
	Constr:	ISO 2768 mK	Mater.
	Scale:	Unless otherwise indicated	Form. A3
	Weight:	Piece nr.	Date last rev.
	Project:	Beaufort 8kW	Pos. nr. Selec. dim.