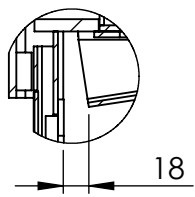
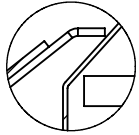


# Restrictor

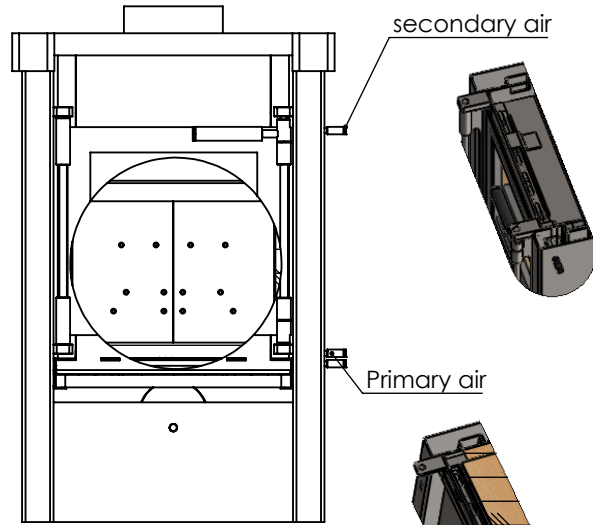
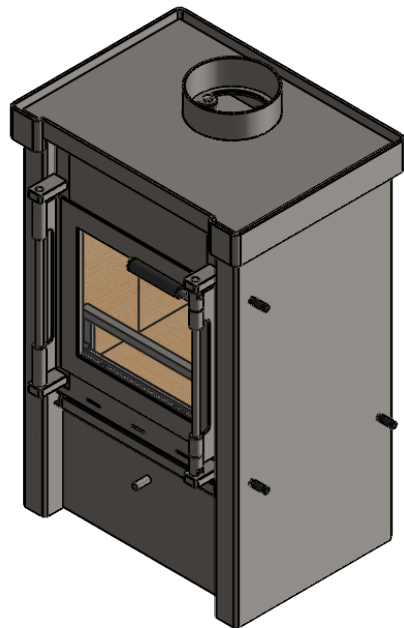
CE position



DETAIL B  
SCALE 1 : 5

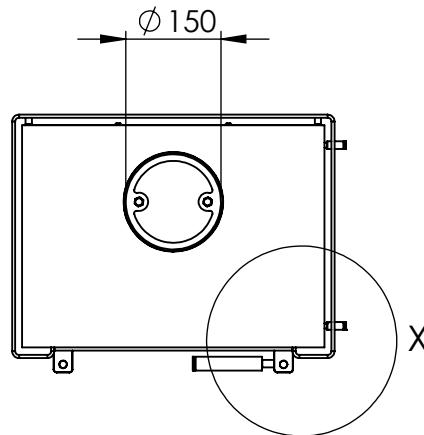


DETAIL C  
SCALE 1 : 5

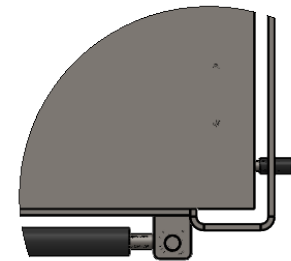


secondary air

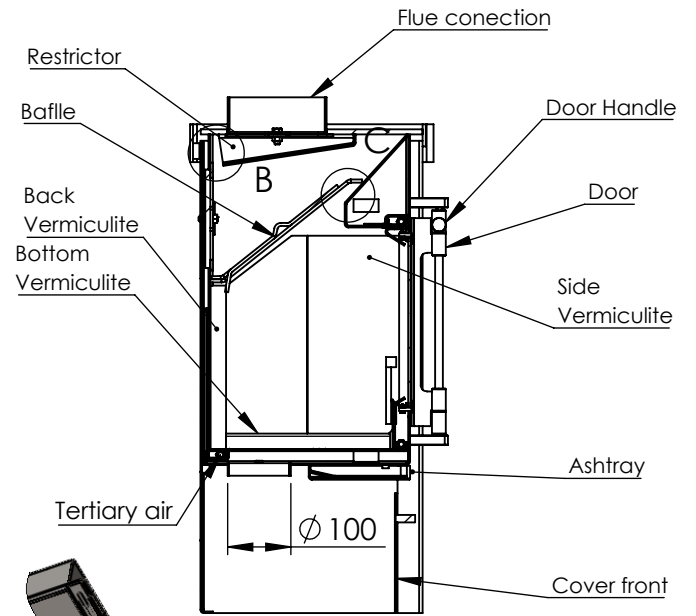
Primary air



X



DETAIL X  
SCALE 1 : 6



Flue conection

Restrictor

Baffle

Back Vermiculite

Bottom Vermiculite

Side Vermiculite

Door Handle

Door

Side Vermiculite

Ashtray

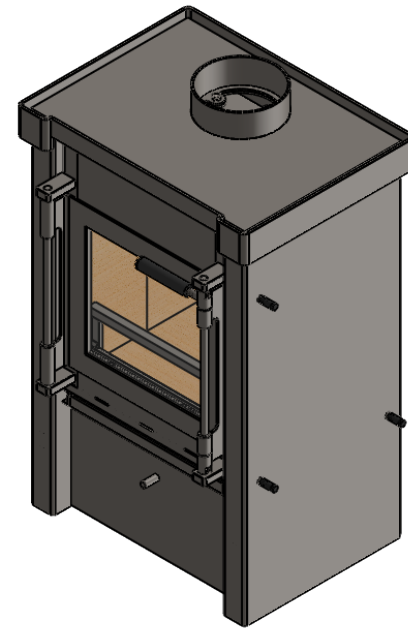
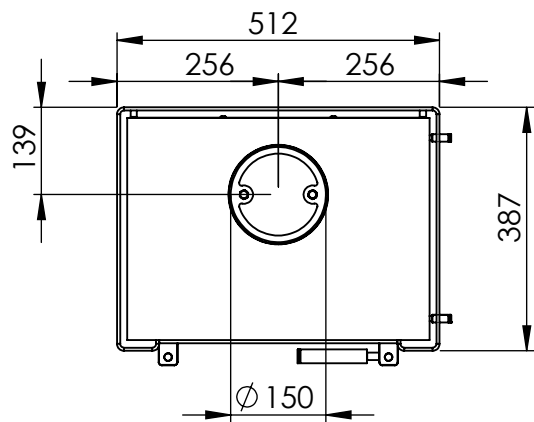
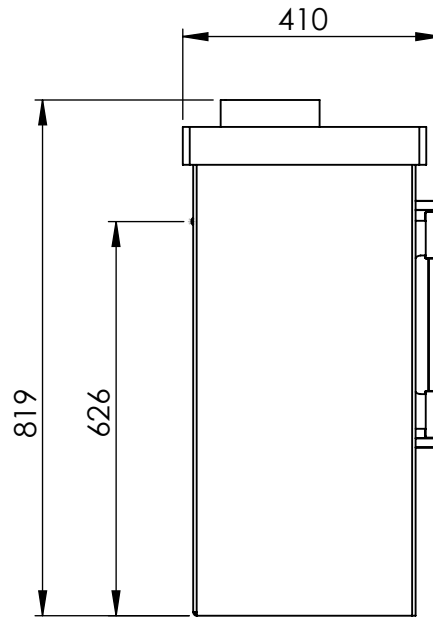
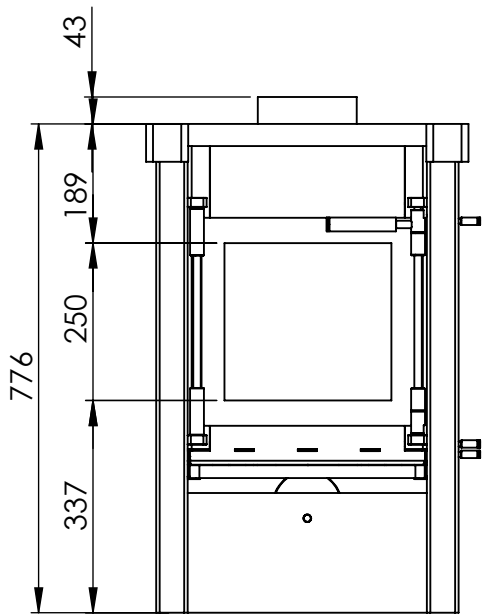
Cover front



Tertiary air

Ø 100

SECTION A-A

	Unit : mm	Date:	General tolerances to Art. nr.	
		Constr:	<b>ISO 2768 mK</b>	Mater.
	Scale:	Weight:	Unless otherwise indicated	
	Project:	Beaufort 6kW	Piece nr.	Date last rev.
			Pos. nr. Selec. dim.	Rev.
			Form. <b>A3</b>	



 Proj. Euro. Unit : mm Copyright reserved	Date:	General tolerances to Art. nr.	
	Constr:	<b>ISO 2768 mK</b>	Mater.
	Scale:	Unless otherwise indicated	Form. <b>A3</b>
	Weight:	Piece nr.	Date last rev.
	Project:	Beaufort 6kW	Pos. nr. Selec. dim.

5

4

3

2

1