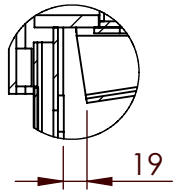
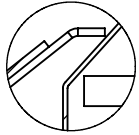


Restrictor

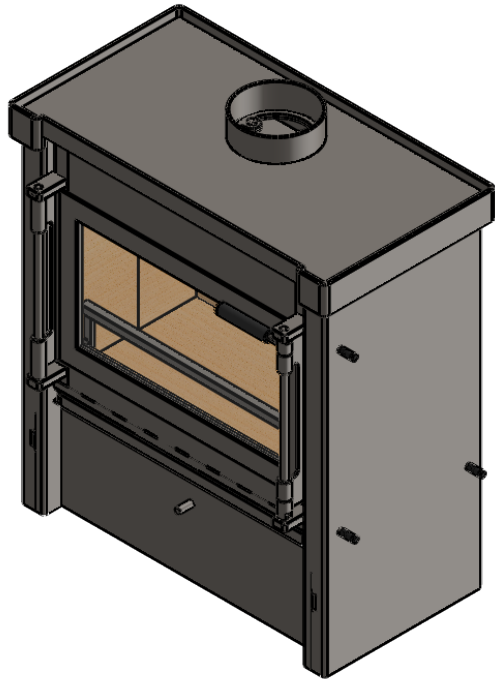
CE position



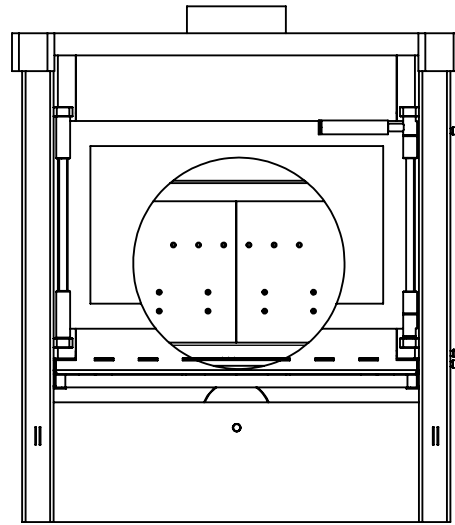
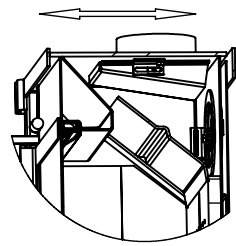
DETAIL B
SCALE 1 : 5



DETAIL C
SCALE 1 : 5



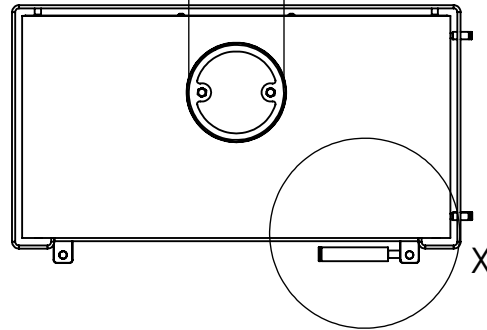
5



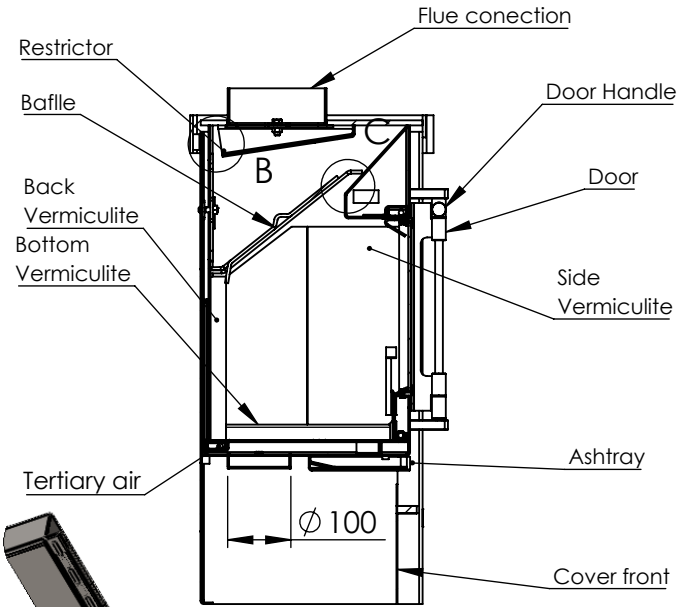
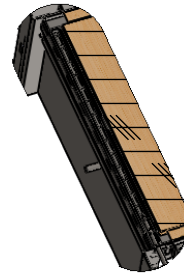
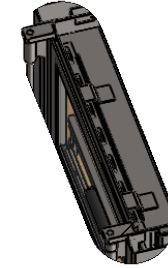
secondary air

Primary air

Ø 150



X



SECTION A-A

Restrictor

Baffle

Back Vermiculite

Bottom Vermiculite

Tertiary air

Flue connection

Door Handle

Door

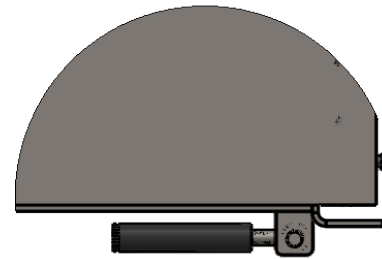
Side Vermiculite

Ashtray

Cover front

Ø 100

DETAIL X
SCALE 1 : 6



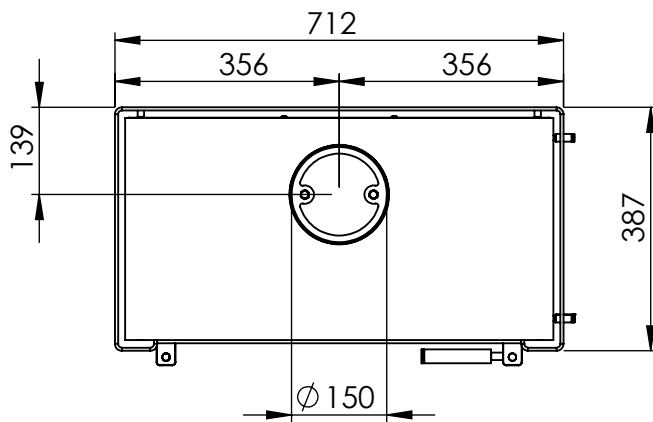
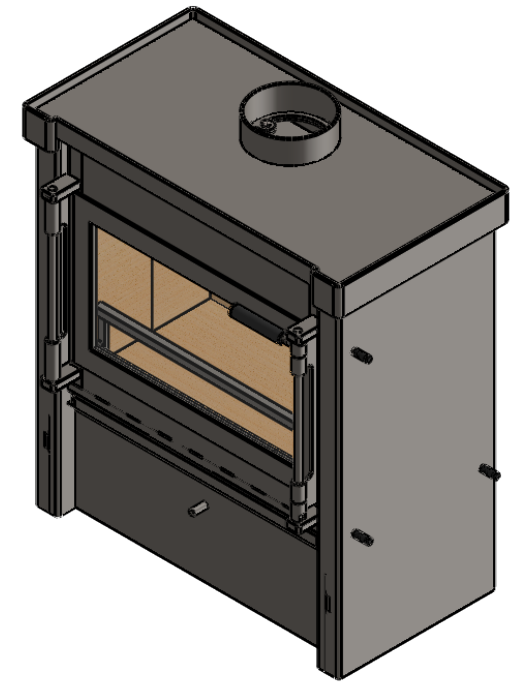
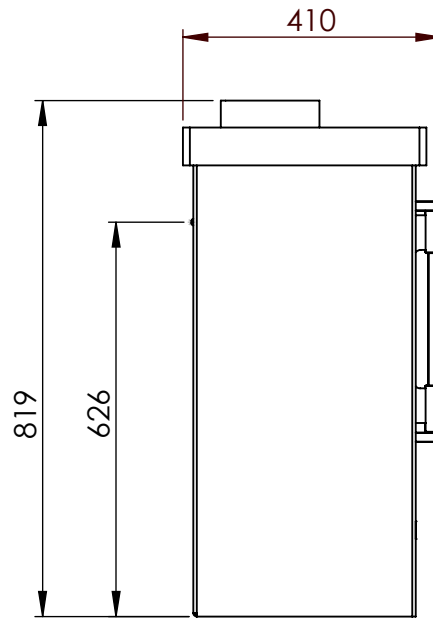
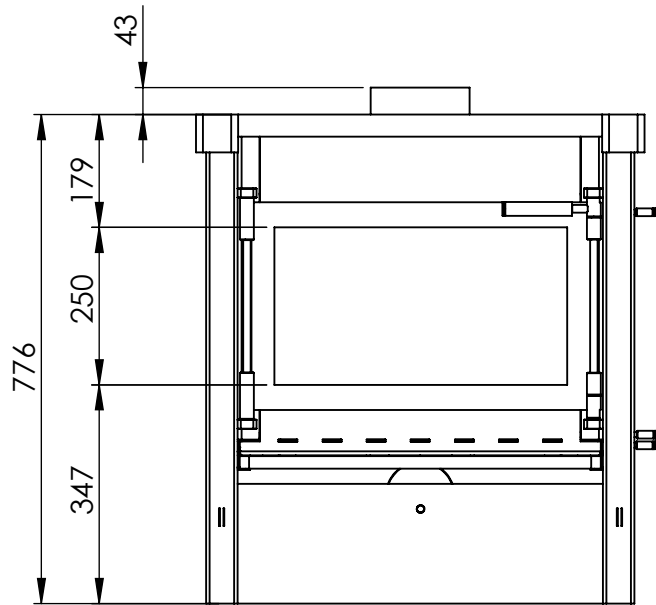
	Unit : mm	Date:	General tolerances to Art. nr.	
	Copyright reserved	Constr:	ISO 2768 mK	Mater.
	Scale:	Weight:	Unless otherwise indicated	
	Project:	Project:	Piece nr.	Form. A3
	Beaufort 11kW	Date last rev.	Pos. nr. Selec. dim.	Rev.



3

2

1

4



 Proj. Euro. Unit : mm Copyright reserved	Date:	General tolerances to Art. nr.	
	Constr:	ISO 2768 mK	Mater.
	Scale:	Unless otherwise indicated	Form. A3
	Weight:	Piece nr.	Date last rev.
	Project:	Beaufort 11kW	Pos. nr. Selec. dim.

5

4

3

2

1